

A032002齒輪箱爆炸圖

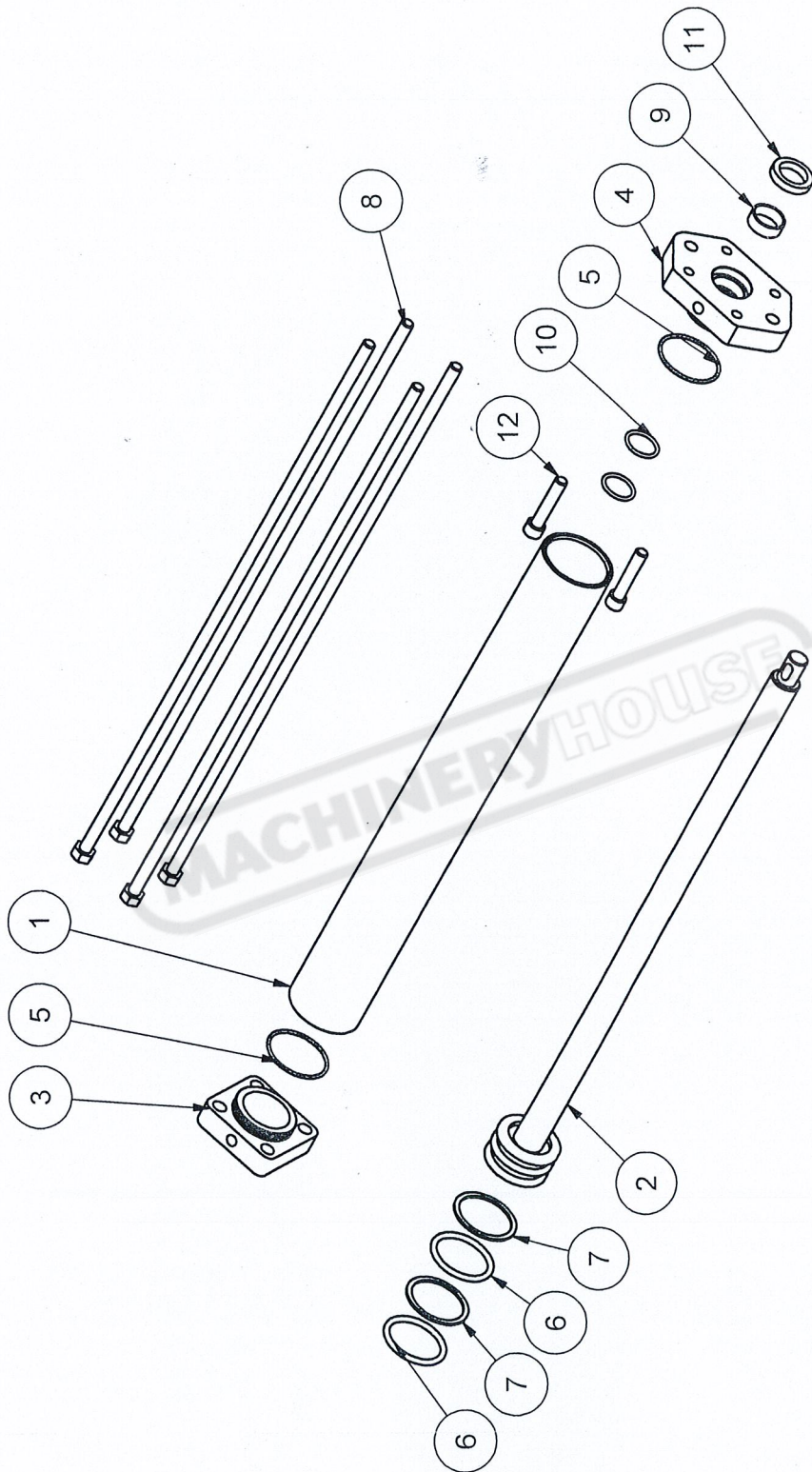
- H-460HA
- H-530HA
- H-5552SA
- H-8240SA

|       |       |       |      |
|-------|-------|-------|------|
| ▽▽▽   | ▽▽    | ▽     | ~    |
| 0.2/▽ | 1.6/▽ | 6.3/▽ | 25/▽ |

| NO | QTY | TYPE         | DESCRIPTION                | NO | QTY | TYPE   | DESCRIPTION           |
|----|-----|--------------|----------------------------|----|-----|--------|-----------------------|
| 1  | 1   | H03220600    | WORM GEAR                  | 26 | 1   | 35x1.6 | C TYPE RETAINING RING |
| 2  | 1   | B02020700    | UNDER COVER                |    |     |        |                       |
| 3  | 1   | B02020800    | OIL SEAL COVER             |    |     |        |                       |
| 4  | 1   | B02020900    | BEARING COVER              |    |     |        |                       |
| 5  | 1   | B02021000    | BEARING SLEEVE             |    |     |        |                       |
| 6  | 1   | B02021100    | BACK COVER                 |    |     |        |                       |
| 7  | 1   | H03220500    | OUTPUT SHAFT               |    |     |        |                       |
| 8  | 1   | H03220700    | BEARING SLEEVE             |    |     |        |                       |
| 9  | 1   | H03220800    | GEAR BOX                   |    |     |        |                       |
| 10 | 1   | H03220900    | DRIVING PULLEY SHAFT       |    |     |        |                       |
| 11 | 1   | H03221100    | UPPER COVER                |    |     |        |                       |
| 12 | 1   | H03221200    | BEARING COVER              |    |     |        |                       |
| 13 | 1   | H03221500    | NUT                        |    |     |        |                       |
| 14 | 2   | 6007         | CYLINDRICAL ROLLER BEARING |    |     |        |                       |
| 15 | 2   | 30210J3      | CYLINDRICAL ROLLER BEARING |    |     |        |                       |
| 16 | 1   | 22212        | SPHERICAL ROLLER BEARING   |    |     |        |                       |
| 17 | 1   | AW12         | GASKET                     |    |     |        |                       |
| 18 | 2   | AN12         | BEARING NUT                |    |     |        |                       |
| 19 | 1   | 4TC65-85-10  | OIL SEA                    |    |     |        |                       |
| 20 | 1   | 65x2.5       | C TYPE RETAINING RING      |    |     |        |                       |
| 21 | -   | -            | -                          |    |     |        |                       |
| 22 | 1   | G105         | O RING                     |    |     |        |                       |
| 23 | 1   | 16x16x60     | DOUBLE ROUND KEY           |    |     |        |                       |
| 24 | 1   | 22215        | SPHERICAL ROLLER BEARING   |    |     |        |                       |
| 25 | 1   | 4TC85-110-13 | TC OIL SEAL                |    |     |        |                       |

A032002 GEAR BOX UNIT

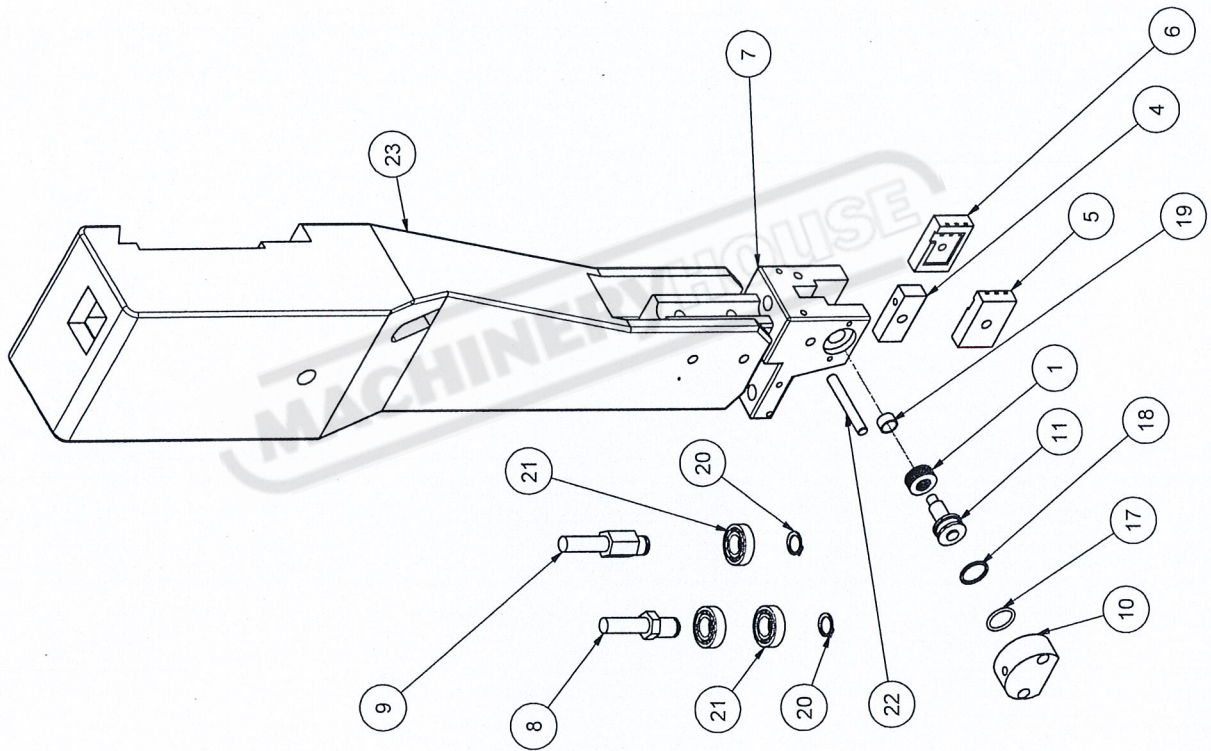
|       |       |       |      |   |
|-------|-------|-------|------|---|
| ▽▽▽▽  | ▽▽▽   | ▽▽    | ▽    | ~ |
| 0.2/▽ | 1.6/▽ | 6.3/▽ | 25/▽ | ▽ |



A050004 床台夾鉗缸組爆炸圖

| NO | QTY | TYPE                | DESCRIPTION         | NO | QTY | TYPE | DESCRIPTION |
|----|-----|---------------------|---------------------|----|-----|------|-------------|
| 1  | 1   | H05060400           | CYLINDER            |    |     |      |             |
| 2  | 1   | H05060700           | PISTON              |    |     |      |             |
| 3  | 1   | H03261000           | BACK COVER          |    |     |      |             |
| 4  | 1   | H03260900           | FRONT COVER         |    |     |      |             |
| 5  | 2   | G60                 | O RING              |    |     |      |             |
| 6  | 2   | P55                 | O RING              |    |     |      |             |
| 7  | 2   | P55                 | BACKING UP RING     |    |     |      |             |
| 8  | 4   | H05060900           | SCREW               |    |     |      |             |
| 9  | 1   | 2DU3012             | LUBRICATING BEARING |    |     |      |             |
| 10 | 2   | P30                 | O RING              |    |     |      |             |
| 11 | 1   | D42-d30-B8          | OIL SEAL            |    |     |      |             |
| 12 | 2   | JIS B 1176-M12 x 60 | BOLT                |    |     |      |             |
| 13 |     |                     |                     |    |     |      |             |
| 14 |     |                     |                     |    |     |      |             |
| 15 |     |                     |                     |    |     |      |             |
| 16 |     |                     |                     |    |     |      |             |
| 17 |     |                     |                     |    |     |      |             |
| 18 |     |                     |                     |    |     |      |             |
| 19 |     |                     |                     |    |     |      |             |
| 20 |     |                     |                     |    |     |      |             |
| 21 |     |                     |                     |    |     |      |             |
| 22 |     |                     |                     |    |     |      |             |
| 23 |     |                     |                     |    |     |      |             |
| 24 |     |                     |                     |    |     |      |             |
| 25 |     |                     |                     |    |     |      |             |

A050004 CYLINDER UNIT OF TABLE VISE

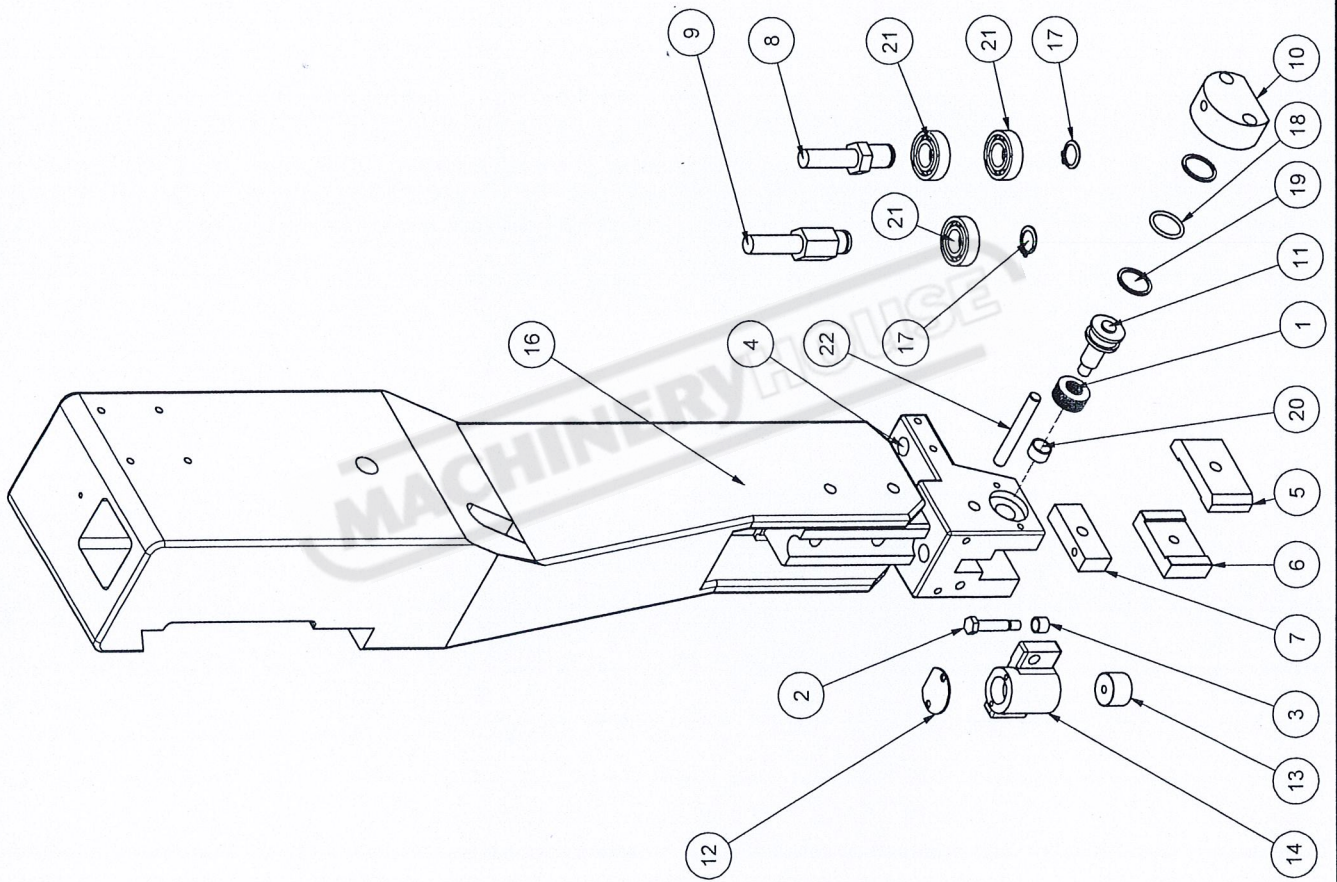


|       |       |       |      |   |
|-------|-------|-------|------|---|
| ▽▽▽   | ▽▽    | ▽▽    | ▽    | ~ |
| 0.2/▽ | 1.5/▽ | 6.3/▽ | 25/▽ | ▽ |

A050009左導臂組爆炸圖



A050010右導臂組爆炸圖



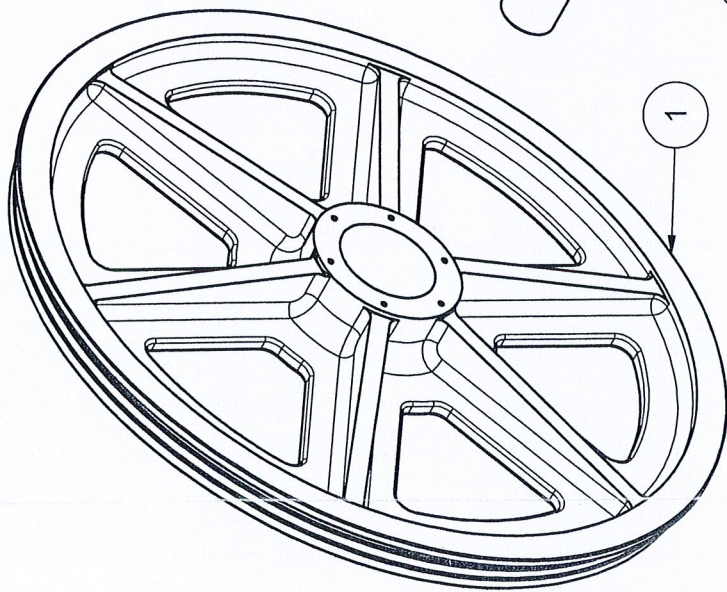
|      |       |     |       |    |       |    |      |   |   |
|------|-------|-----|-------|----|-------|----|------|---|---|
| ▽▽▽▽ | 0.2/▽ | ▽▽▽ | 1.6/▽ | ▽▽ | 6.3/▽ | ▽▽ | 25/▽ | ~ | ▽ |
|------|-------|-----|-------|----|-------|----|------|---|---|

| NO | QTY | TYPE               | DESCRIPTION                         | NO | QTY | TYPE | DESCRIPTION |
|----|-----|--------------------|-------------------------------------|----|-----|------|-------------|
| 1  | 1   | § 12.2 x § 23 x 1t | DISC SPRING                         |    |     |      |             |
| 2  | 1   | 200103500          | SHAFT                               |    |     |      |             |
| 3  | 1   | 200104000          | RING                                |    |     |      |             |
| 4  | 1   | B02043700          | RIGHT GUIDE WHEEL BASE (HYDRAULIC ) |    |     |      |             |
| 5  | 1   | B02040901          | RIGHT FRONT CARBIDE FIXTURE         |    |     |      |             |
| 6  | 1   | B02041000          | RIGHT BACK CARBIDE FIXTURE          |    |     |      |             |
| 7  | 1   | B02041100          | UPPER CARBIDE FIXTURE               |    |     |      |             |
| 8  | 1   | B02044100          | SHORT ECCENTRIC SHAFT               |    |     |      |             |
| 9  | 1   | B02044200          | LONG ECCENTRIC SHAFT                |    |     |      |             |
| 10 | 1   | B02062600          | CYLINDER                            |    |     |      |             |
| 11 | 1   | B02062700          | PISTON                              |    |     |      |             |
| 12 | 1   | B02113600          | COVER                               |    |     |      |             |
| 13 | 1   | B02141400          | ANTI-VIBRATION PAD                  |    |     |      |             |
| 14 | 1   | B02141300          | ANTI-VIBRATION BASE                 |    |     |      |             |
| 16 | 2   | JIS B 1181-AM12    | HEX NUT                             |    |     |      |             |
| 17 | 2   | § 15               | C TYPE RETAINING RING               |    |     |      |             |
| 18 | 1   | P20                | O RING                              |    |     |      |             |
| 19 | 2   | P20                | BACKING UP RING                     |    |     |      |             |
| 20 | 1   | 2DU1208            | LUBRICATING BEARING                 |    |     |      |             |
| 21 | 3   | 6002               | BALL BEARING                        |    |     |      |             |
| 22 | 1   | 8 x 60L            | STRAIGHT PIN                        |    |     |      |             |
| 23 | 1   | H05040700          | RIGHT GUIDE ARM                     |    |     |      |             |
|    |     |                    |                                     |    |     |      |             |
|    |     |                    |                                     |    |     |      |             |
|    |     |                    |                                     |    |     |      |             |

A050010 RIGHT GUIDE ARM UNIT



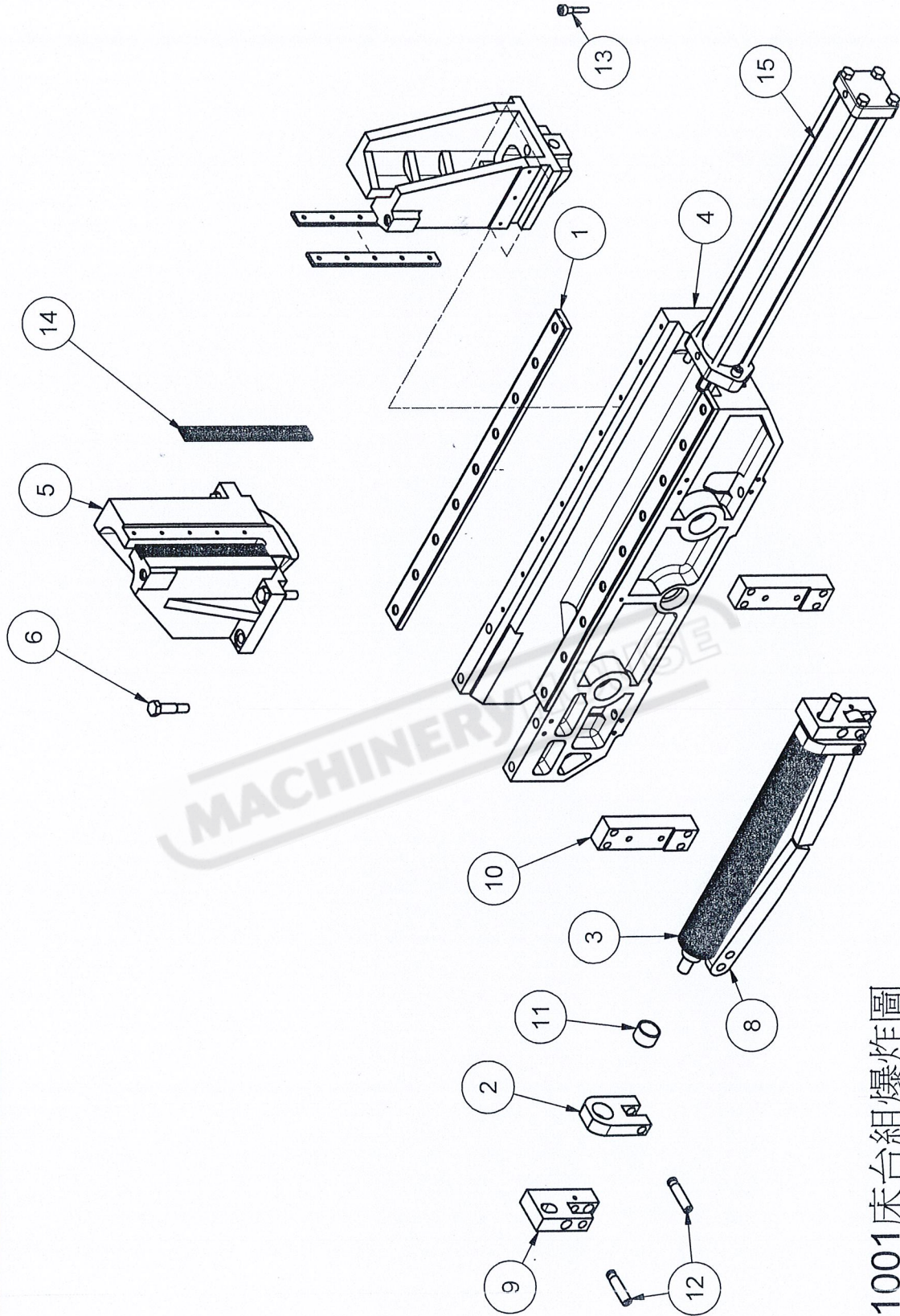
|       |       |       |      |   |
|-------|-------|-------|------|---|
| ▽▽▽▽  | ▽▽▽   | ▽▽    | ▽    | ~ |
| 0.2/▽ | 1.6/▽ | 6.3/▽ | 25/▽ | ▽ |



A050012被動輪組爆炸圖

| NO | QTY | TYPE               | DESCRIPTION   | NO | QTY | TYPE | DESCRIPTION |
|----|-----|--------------------|---------------|----|-----|------|-------------|
| 1  | 1   | H03240200          | DRIVED WHEEL  |    |     |      |             |
| 2  | 1   | H03221300          | SHAFT         |    |     |      |             |
| 3  | 1   | B02040600          | BEARING COVER |    |     |      |             |
| 4  | 1   | B02044000          | SPACER RING   |    |     |      |             |
| 5  | 2   | E32210J            | BEARING       |    |     |      |             |
| 6  | 1   | AN10               | NUT           |    |     |      |             |
| 7  | 1   | AW10               | GASKET        |    |     |      |             |
| 8  | 6   | JIS B 1176-M6 x 30 | BOLT          |    |     |      |             |
| 9  | 6   | M6                 | SPRING WASHER |    |     |      |             |
| 10 |     |                    |               |    |     |      |             |
| 11 |     |                    |               |    |     |      |             |
| 12 |     |                    |               |    |     |      |             |
| 13 |     |                    |               |    |     |      |             |
| 14 |     |                    |               |    |     |      |             |
| 15 |     |                    |               |    |     |      |             |
| 16 |     |                    |               |    |     |      |             |
| 17 |     |                    |               |    |     |      |             |
| 18 |     |                    |               |    |     |      |             |
| 19 |     |                    |               |    |     |      |             |
| 20 |     |                    |               |    |     |      |             |
| 21 |     |                    |               |    |     |      |             |
| 22 |     |                    |               |    |     |      |             |
| 23 |     |                    |               |    |     |      |             |
| 24 |     |                    |               |    |     |      |             |
| 25 |     |                    |               |    |     |      |             |

A050012 DRIVED WHEEL UNIT



MACHINERY

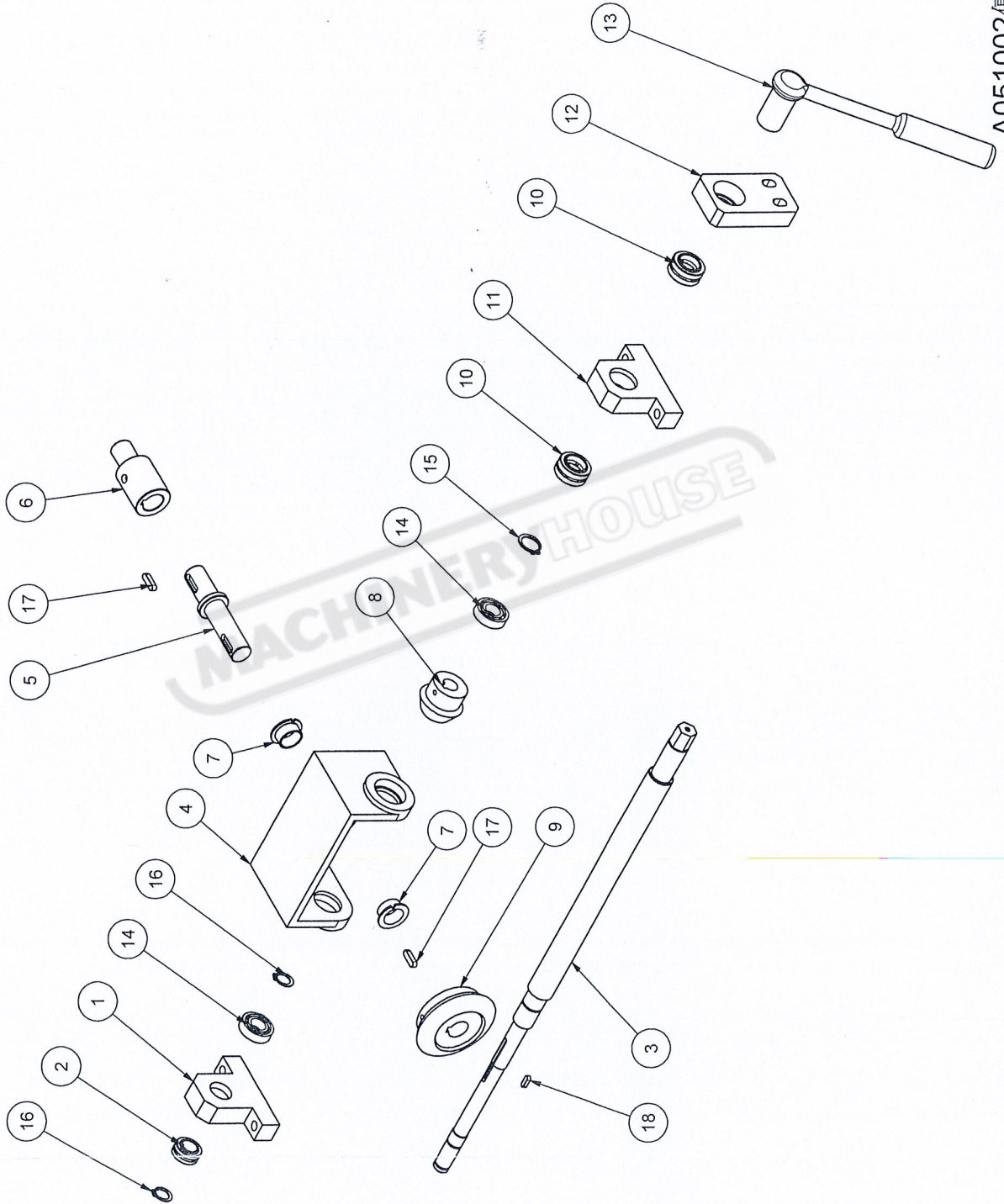
A051001床台組爆炸圖

|       |       |       |      |   |
|-------|-------|-------|------|---|
| ▽▽▽▽  | ▽▽▽   | ▽▽    | ▽    | ~ |
| 0.2/▽ | 1.6/▽ | 6.3/▽ | 25/▽ | ▽ |

| NO | QTY | TYPE      | DESCRIPTION                 | NO | QTY | TYPE | DESCRIPTION |
|----|-----|-----------|-----------------------------|----|-----|------|-------------|
| 1  | 2   | H05030600 | WEARABLE PLATE              |    |     |      |             |
| 2  | 2   | B02031200 | BASE                        |    |     |      |             |
| 3  | 1   | H05130200 | LIFT UP ROLLER              |    |     |      |             |
| 4  | 1   | H05030100 | FIXED TABLE                 |    |     |      |             |
| 5  | 1   | H05131600 | FIXED VISE                  |    |     |      |             |
| 6  | 4   | B02130700 | SCREW                       |    |     |      |             |
| 7  | 1   | H05131500 | MOVABLE VISE                |    |     |      |             |
| 8  | 2   | H05130600 | LEVER ARM                   |    |     |      |             |
| 9  | 2   | B02031000 | ROLLER STAND                |    |     |      |             |
| 10 | 2   | H05130100 | BASE                        |    |     |      |             |
| 11 | 2   | 2DU3525   | LUBRICATING BEARING         |    |     |      |             |
| 12 | 4   | B02032700 | PIN                         |    |     |      |             |
| 13 | 1   | B02130200 | SCREW                       |    |     |      |             |
| 14 | 4   | H05030700 | PLATE                       |    |     |      |             |
| 15 | 1   | A050004   | CYLINDER UNIT OF TABLE VISE |    |     |      |             |
| 16 | 1   | H05030500 | MOVABLE VISE                |    |     |      |             |
| 17 |     |           |                             |    |     |      |             |
| 18 |     |           |                             |    |     |      |             |
| 19 |     |           |                             |    |     |      |             |
| 20 |     |           |                             |    |     |      |             |
| 21 |     |           |                             |    |     |      |             |
| 22 |     |           |                             |    |     |      |             |
| 23 |     |           |                             |    |     |      |             |
| 24 |     |           |                             |    |     |      |             |
| 25 |     |           |                             |    |     |      |             |

A051001 TABLE UNIT

A051002 傳動送料組爆炸圖

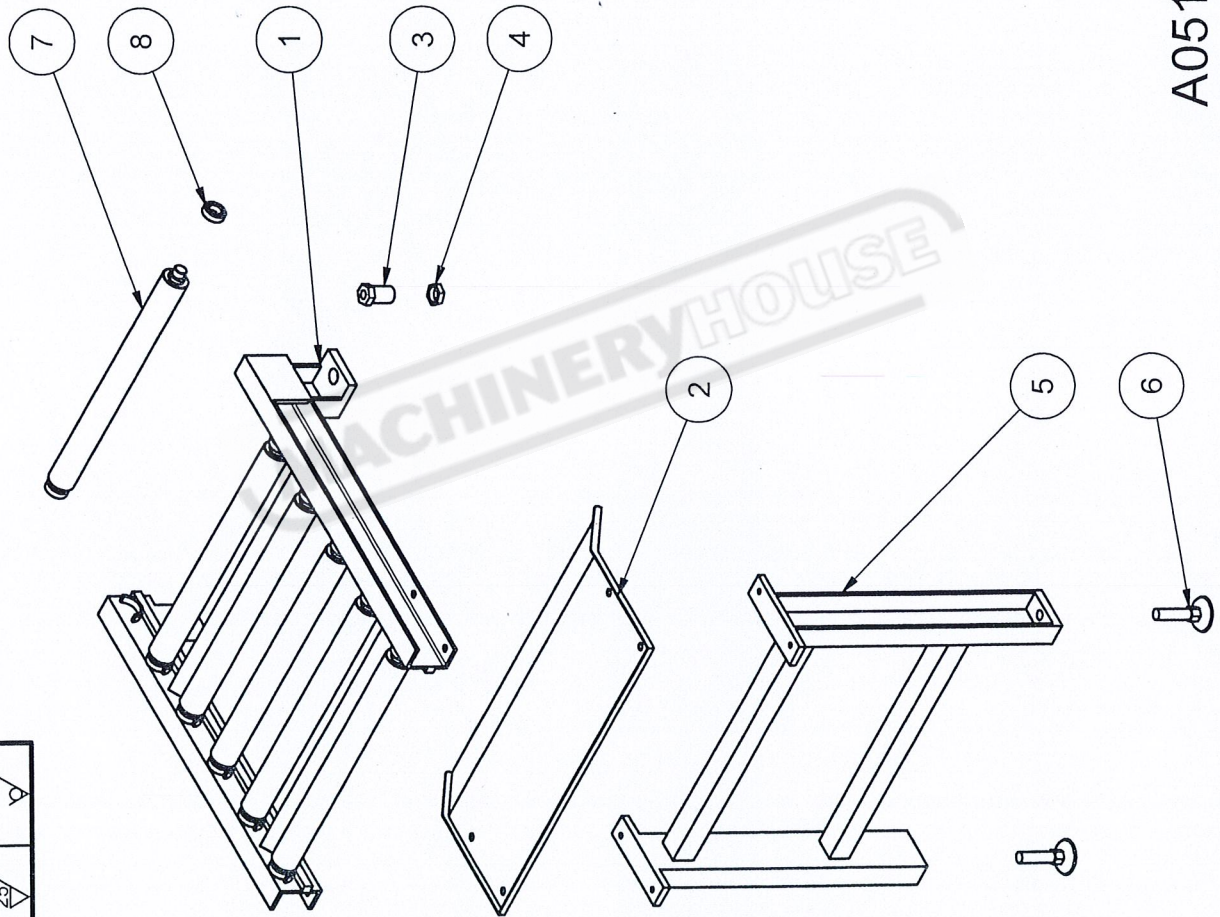


|       |       |       |      |   |
|-------|-------|-------|------|---|
| ▽▽▽   | ▽▽    | ▽▽    | ▽    | ~ |
| 0.2/▽ | 1.5/▽ | 5.3/▽ | 25/▽ | ▽ |

| NO | Q'TY | TYPE        | DESCRIPTION           | NO | Q'TY | TYPE | DESCRIPTION |
|----|------|-------------|-----------------------|----|------|------|-------------|
| 1  | 1    | H05131100   | BRACKET               |    |      |      |             |
| 2  | 1    | SB15        | BEARING               |    |      |      |             |
| 3  | 1    | H05130700   | ROD                   |    |      |      |             |
| 4  | 1    | H05131000   | GEAR BOX              |    |      |      |             |
| 5  | 1    | H05130900   | SHAFT                 |    |      |      |             |
| 6  | 1    | H05131200   | SHAFT                 |    |      |      |             |
| 7  | 2    | 2DUF2010-31 | LUBRICATING BEARING   |    |      |      |             |
| 8  | 1    | B02022901   | SMALL GEAR            |    |      |      |             |
| 9  | 1    | B02023000   | SLANT GEAR            |    |      |      |             |
| 10 | 2    | SB20        | BEARING               |    |      |      |             |
| 11 | 1    | H05130800   | BRACKET               |    |      |      |             |
| 12 | 1    | B02032400   | ADJUSTING BASE        |    |      |      |             |
| 13 | 1    |             | WRENCH                |    |      |      |             |
| 14 | 2    | 6002        | BALL BEARING          |    |      |      |             |
| 15 | 1    | φ20         | C TYPE RETAINING RING |    |      |      |             |
| 16 | 2    | φ15         | C TYPE RETAINING RING |    |      |      |             |
| 17 | 2    | 6 x 6 x 20  | ROUND KEY             |    |      |      |             |
| 18 | 1    | 5 x 5 x 15  | ROUND KEY             |    |      |      |             |
| 19 |      |             |                       |    |      |      |             |
| 20 |      |             |                       |    |      |      |             |
| 21 |      |             |                       |    |      |      |             |
| 22 |      |             |                       |    |      |      |             |
| 23 |      |             |                       |    |      |      |             |
| 24 |      |             |                       |    |      |      |             |
| 25 |      |             |                       |    |      |      |             |

A051002 TRANSMITTING UNIT

|       |       |       |      |   |
|-------|-------|-------|------|---|
| ▽▽▽   | ▽▽    | ▽▽    | ▽    | ~ |
| 0.2/▽ | 1.6/▽ | 6.3/▽ | 25/▽ | ▽ |



A051004後撐料架組爆炸圖

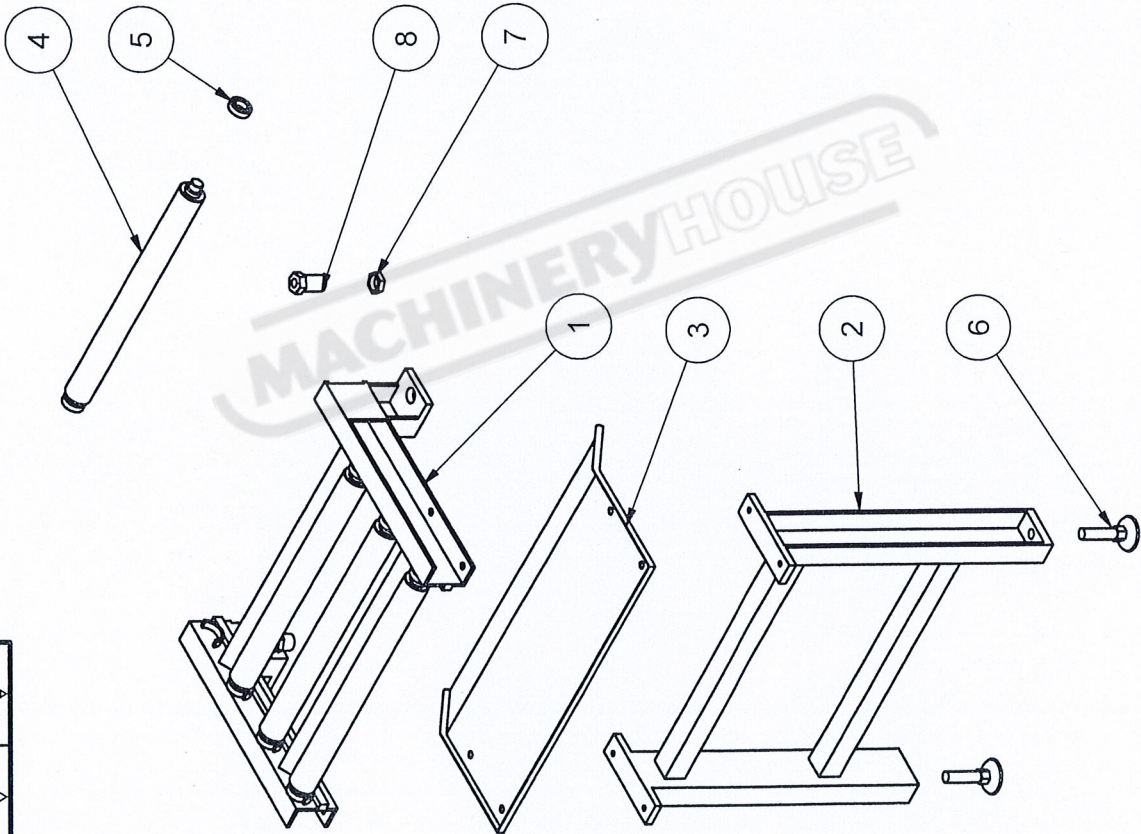
| NO | Q'TY | TYPE      | DESCRIPTION          | NO | Q'TY | TYPE | DESCRIPTION |
|----|------|-----------|----------------------|----|------|------|-------------|
| 1  | 1    | H05130300 | BACK MATERIAL HOLDER |    |      |      |             |
| 2  | 1    | H05111600 | PLATE                |    |      |      |             |
| 3  | 2    | H05130500 | ADJUSTING SCREW      |    |      |      |             |
| 4  | 2    | H06043300 | NUT                  |    |      |      |             |
| 5  | 1    | H05130400 | STAND                |    |      |      |             |
| 6  | 2    |           | PAD                  |    |      |      |             |
| 7  | 6    | H03230900 | ROLLER               |    |      |      |             |
| 8  | 12   | 6005      | BALL BEARING         |    |      |      |             |
| 9  |      |           |                      |    |      |      |             |
| 10 |      |           |                      |    |      |      |             |
| 11 |      |           |                      |    |      |      |             |
| 12 |      |           |                      |    |      |      |             |
| 13 |      |           |                      |    |      |      |             |
| 14 |      |           |                      |    |      |      |             |
| 15 |      |           |                      |    |      |      |             |
| 16 |      |           |                      |    |      |      |             |
| 17 |      |           |                      |    |      |      |             |
| 18 |      |           |                      |    |      |      |             |
| 19 |      |           |                      |    |      |      |             |
| 20 |      |           |                      |    |      |      |             |
| 21 |      |           |                      |    |      |      |             |
| 22 |      |           |                      |    |      |      |             |
| 23 |      |           |                      |    |      |      |             |
| 24 |      |           |                      |    |      |      |             |
| 25 |      |           |                      |    |      |      |             |

A051004 BACK MATERIAL HOLDER



A051005前撐料架組爆炸圖

|       |       |       |      |   |
|-------|-------|-------|------|---|
| ▽▽▽▽  | ▽▽▽   | ▽▽    | ▽    | ~ |
| 0.2/▽ | 1.6/▽ | 6.3/▽ | 25/▽ | ▽ |

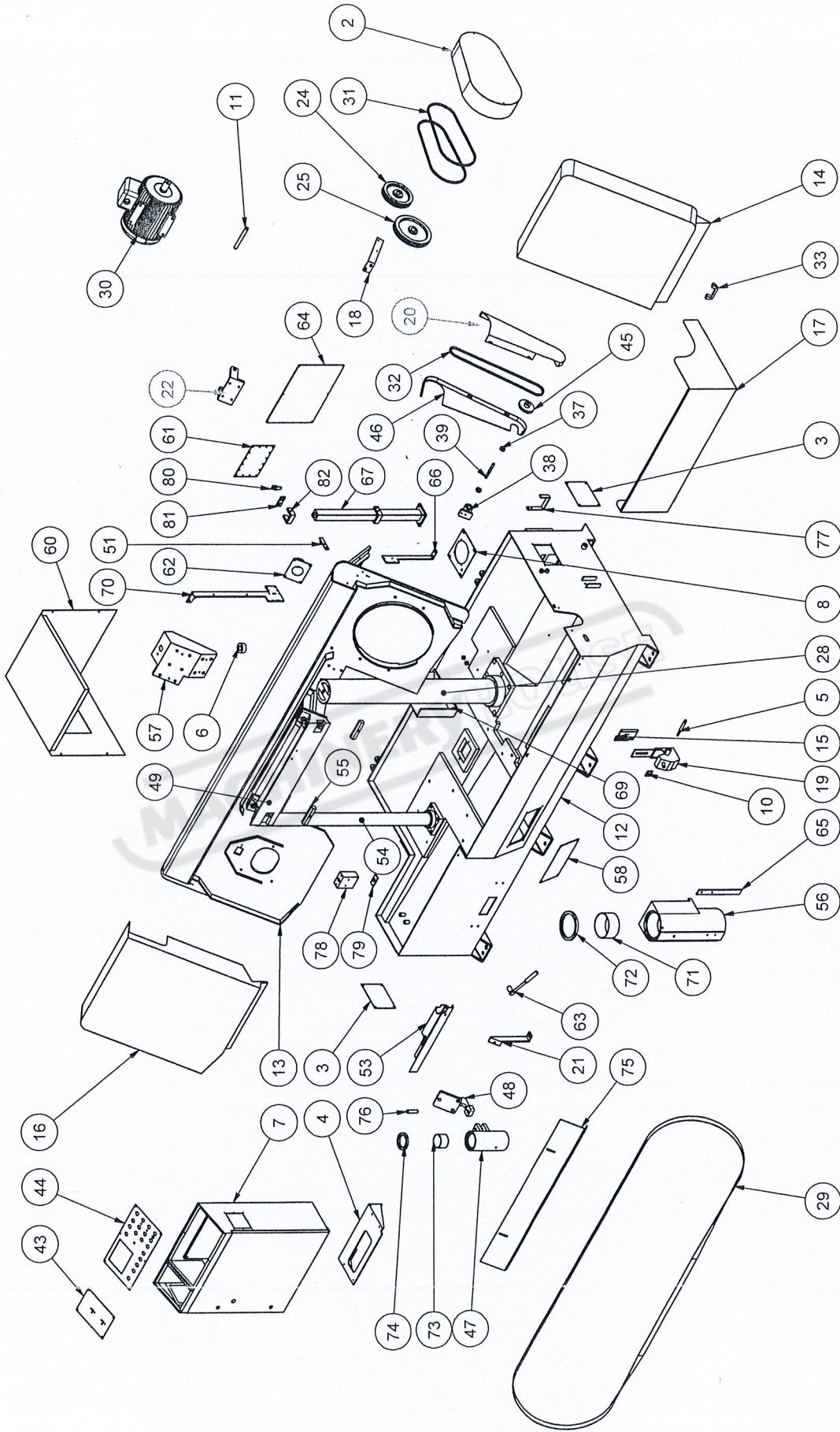


MACHINERYHOUSE

| NO | Q'TY | TYPE      | DESCRIPTION           | NO | Q'TY | TYPE | DESCRIPTION |
|----|------|-----------|-----------------------|----|------|------|-------------|
| 1  | 1    | H05131300 | FRONT MATERIAL HOLDER |    |      |      |             |
| 2  | 1    | H05130400 | STAND                 |    |      |      |             |
| 3  | 1    | H05111600 | PLATE                 |    |      |      |             |
| 4  | 4    | H03230900 | ROLLER                |    |      |      |             |
| 5  | 8    | 6005      | BALL BEARING          |    |      |      |             |
| 6  | 2    |           | PAD                   |    |      |      |             |
| 7  | 2    | H06043300 | NUT                   |    |      |      |             |
| 8  | 2    | H05130500 | ADJUSTING SCREW       |    |      |      |             |
| 9  |      |           |                       |    |      |      |             |
| 10 |      |           |                       |    |      |      |             |
| 11 |      |           |                       |    |      |      |             |
| 12 |      |           |                       |    |      |      |             |
| 13 |      |           |                       |    |      |      |             |
| 14 |      |           |                       |    |      |      |             |
| 15 |      |           |                       |    |      |      |             |
| 16 |      |           |                       |    |      |      |             |
| 17 |      |           |                       |    |      |      |             |
| 18 |      |           |                       |    |      |      |             |
| 19 |      |           |                       |    |      |      |             |
| 20 |      |           |                       |    |      |      |             |
| 21 |      |           |                       |    |      |      |             |
| 22 |      |           |                       |    |      |      |             |
| 23 |      |           |                       |    |      |      |             |
| 24 |      |           |                       |    |      |      |             |
| 25 |      |           |                       |    |      |      |             |

A051005 FRONT MATERIAL HOLDER

H-5552龍門板金圖



|     |     |   |   |   |   |   |   |
|-----|-----|---|---|---|---|---|---|
| ▽▽▽ | 0.2 | ▽ | ▽ | ▽ | ▽ | ▽ | ▽ |
| ▽▽  | 1.6 | ▽ | ▽ | ▽ | ▽ | ▽ | ▽ |
| ▽   | 6.3 | ▽ | ▽ | ▽ | ▽ | ▽ | ▽ |
| ▽   | 25  | ▽ | ▽ | ▽ | ▽ | ▽ | ▽ |

| NO | QTY | TYPE            | DESCRIPTION             | NO | QTY | TYPE        | DESCRIPTION            |
|----|-----|-----------------|-------------------------|----|-----|-------------|------------------------|
| 1  | 1   | 2p90i           | HYDRAULIC MOTOR + PUMP  | 30 | 1   | 7.5HP-132S  | MOTOR                  |
| 2  | 1   | H05010300       | PULLEY COVER            | 31 | 2   | 3M530L      | BELT                   |
| 3  | 2   | B02011000       | PLATE                   | 32 | 1   | 3M530L      | BELT                   |
| 4  | 1   | B02012600       | CABINET BASE            | 33 | 1   |             | HANDLE                 |
| 5  | 1   | B02023200       | SHAFT                   | 35 | 1   | AS-1942-1   |                        |
| 6  | 1   | B02043200       | ADJUSTING SCREW         | 36 | 1   | AS-1942     |                        |
| 7  | 1   | B02112301       | CONTRIBUTION CABINET    | 37 | 2   | 6201        | BALL BEARING           |
| 8  | 1   | H03213400       | COVER                   | 38 | 1   | H03221800   | BASE                   |
| 10 | 1   | H02213600       | PLATE                   | 39 | 1   | B02022200   | SHAFT                  |
| 11 | 1   | H03221000       | SHAFT                   | 40 | 1   | B02112300-1 | PLATE                  |
| 12 | 1   | H05110100       | BASE                    | 41 | 1   | B02112300-2 |                        |
| 13 | 1   | H05010200       | SAW BOW                 | 42 | 1   | B02112300-3 |                        |
| 14 | 1   | H05010500       | COVER ( DRIVING WHEEL ) | 43 | 1   |             | CONTROL PANEL          |
| 15 | 1   | H05012400       | FIXED BASE              | 44 | 1   |             | CONTROL PANEL          |
| 16 | 1   | H05010600       | COVER ( DRIVED WHEEL )  | 45 | 1   | H03221700   | PULLEY                 |
| 17 | 1   | H05010700       | ANTI-SPLASH PLATE       | 46 | 1   | H05010900   | COVER                  |
| 18 | 1   | H03211100       | PLATE                   | 47 | 1   | B02043100   | SECONDARY SLIDING TUBE |
| 19 | 1   | H03211900       | COVER ( WIRE BRUSH )    | 48 | 1   | H03240400   | ADJUSTING BASE         |
| 20 | 1   | H05010400       | COVER                   | 49 | 1   | H05040500   | GUIDE WAY              |
| 21 | 1   | H03213200       | PLATE                   | 50 | 1   | H05010300-1 |                        |
| 22 | 1   | H03220100       | BASE                    | 51 | 1   | H05011800   | PLATE                  |
| 24 | 1   | H03220300       | PULLEY                  | 52 | 1   | H05011900-1 | BLADE PROTECTOR        |
| 25 | 1   | H05020100       | PULLEY                  | 53 | 1   | H05011900   | BLADE PROTECTOR        |
| 28 | 1   | H03240800       | VERTICAL MAIN COLUMN    | 54 | 1   | H03241000   | ADJUTANT COLUMN        |
| 29 | 1   | SW5980-41W-1.3T | SAW BLADE               | 55 | 2   | H05040900   | BLOCK                  |

H-5552SA METAL STRUCTURE

| NO | QTY | TYPE          | DESCRIPTION             | NO | QTY | TYPE      | DESCRIPTION     |
|----|-----|---------------|-------------------------|----|-----|-----------|-----------------|
| 56 | 1   | B02043000     | SLIDE TUBE              | 82 | 2   | H07011300 | PLATE           |
| 57 | 1   | H05040300     | CONNECTING BASE         | 83 | 1   | H03221601 | ADJUSTING SCREW |
| 58 | 1   | H03213500     | PLATE                   | 84 | 1   | H05020400 | MOTOR STAND     |
| 59 | 1   | B02014900     | SWITCH BASE             |    |     |           |                 |
| 60 | 1   | H05110200     | PLATE                   |    |     |           |                 |
| 61 | 1   | B02010800     | PLATE                   |    |     |           |                 |
| 62 | 1   | H05110300     | BASE                    |    |     |           |                 |
| 63 | 1   |               | WRENCH                  |    |     |           |                 |
| 64 | 1   | B02110500     | PLATE                   |    |     |           |                 |
| 65 | 1   | H05110400     | PLATE                   |    |     |           |                 |
| 66 | 1   | H05110600     | SWITCH BASE             |    |     |           |                 |
| 67 | 1   | H05111000     | ROD OF HEIGHT           |    |     |           |                 |
| 69 | 1   | H05111400     | PLATE                   |    |     |           |                 |
| 70 | 1   | H05111500     | SWITCH BASE             |    |     |           |                 |
| 71 | 2   | 2DU15080      | LUBRICATING BEARING     |    |     |           |                 |
| 72 | 2   | D180-d150-B14 | OIL SEAL                |    |     |           |                 |
| 73 | 2   | 2DU8060       | LUBRICATING BEARING     |    |     |           |                 |
| 74 | 2   | D105-d80-B13  | OIL SEAL                |    |     |           |                 |
| 75 | 1   | H05012800     | BLADE PROTECTOR (UPPER) |    |     |           |                 |
| 76 | 1   | B02044300     | PIN                     |    |     |           |                 |
| 77 | 1   | B02015100     | HOCK                    |    |     |           |                 |
| 78 | 1   | H07014100     | INSIDE COVER            |    |     |           |                 |
| 79 | 1   | H07014300     | LIGHT BASE              |    |     |           |                 |
| 80 | 1   | H07014700     | INDICATOR OF HEIGHT     |    |     |           |                 |
| 81 | 2   | H07013400     | PLATE                   |    |     |           |                 |

H-5552SA METAL STRUCTURE.